

Part Number	A	B	C
S-1-Mo-A.010B.010C.020D.0015	0.010	0.010	0.020
S-1-Mo-A.010B.015C.040D.0015	0.010	0.015	0.040
S-1-Mo-A.015B.020C.045D.0015	0.015	0.020	0.045
S-1-	?	?	?

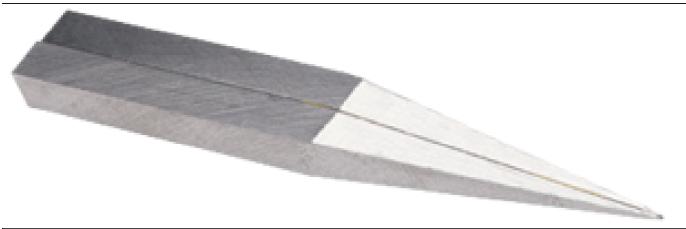
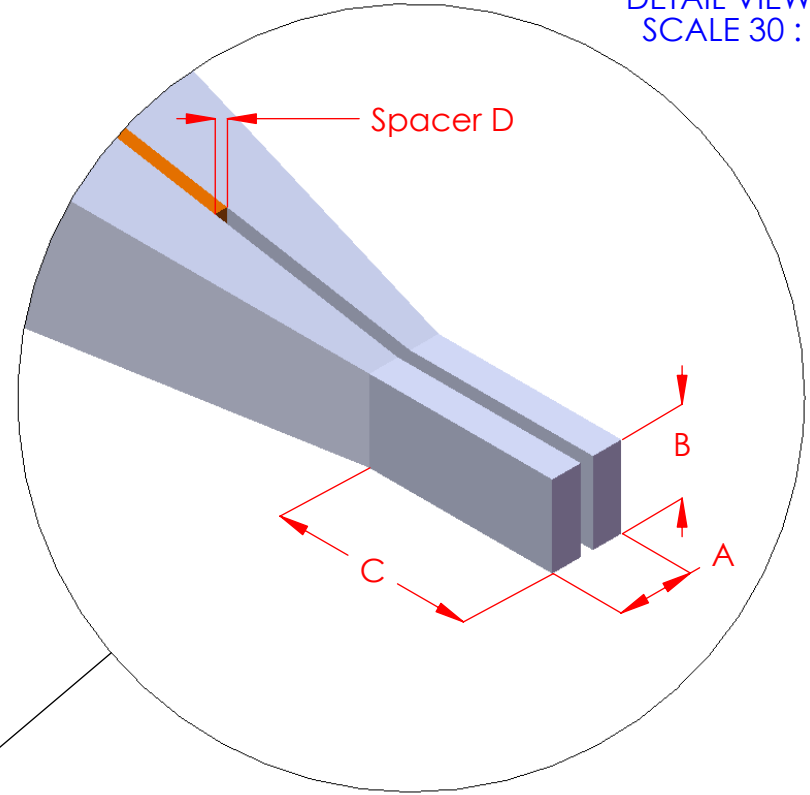
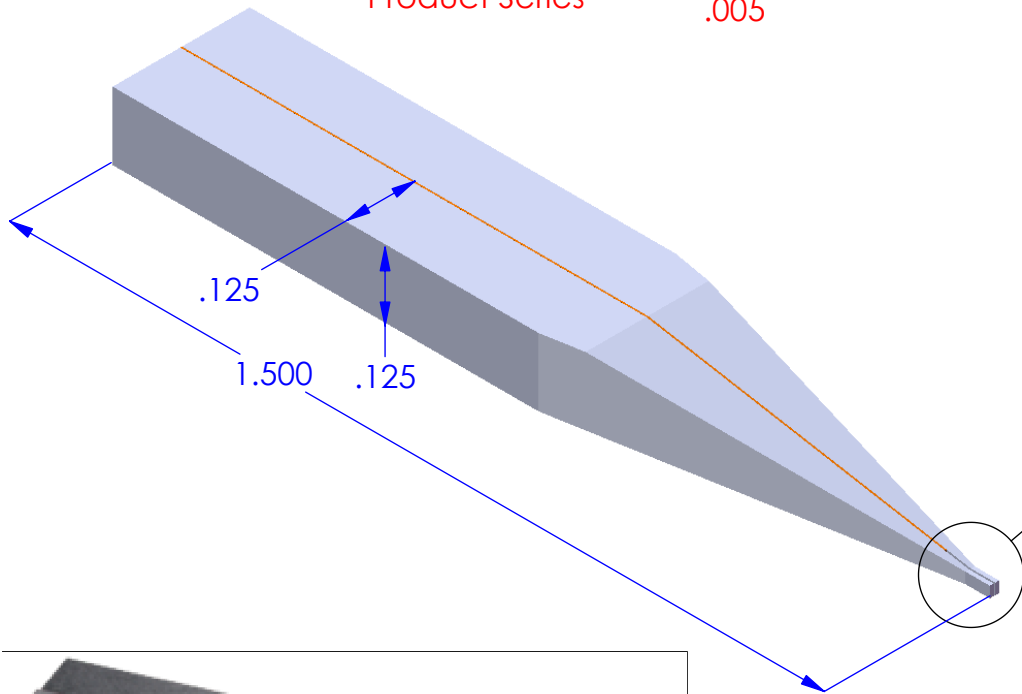
Standard Material:  
Molybdenum (Mo)

Part Number Construction  
S-1-Mo-A.010B.010C.020 -D.0015

Spacer Selection  
 .0015  
 .003  
 .005

Dimensions  
 Material  
 Product Series

DETAIL VIEW F  
SCALE 30 : 1



**Custom configurations and Materials available.  
Contact the factory for assistance.**

AIT PROPRIETARY THIS DOCUMENT AND THE DATA DISCLOSED HEREIN OR HEREWITH IS NOT TO BE REPRODUCED, USED OR DISCLOSED IN WHOLE OR IN PART TO ANYONE WITHOUT WRITTEN PERMISSION OF AIT		SIGNATURE DRAWN CHECKED ENGINEER	DATE	<b>ADVANCED INTEGRATED TECHNOLOGIES INC.</b>	
MC THIRD ANGLE PROJECTION 		DESCRIPTION		SIZE <b>A</b>	JOB NUMBER
3D		DO NOT SCALE DRAWING		DRAWING NUMBER <b>S-1</b>	REV <b>A</b>
				SCALE: 1/1	SHT 1 OF 1