

Part Number	A	B	C
S-13-Mo-A.005B.005C.008D.0015	0.005	0.005	0.008
S-13-Mo-A.010B.010C.015D.0015	0.010	0.010	0.015
S-13-Mo-A.015B.015C.030D.0015	0.015	0.015	0.030
S-13-Mo-A.020B.020C.035D.003	0.0200	0.020	0.035
S-13-	?	?	?

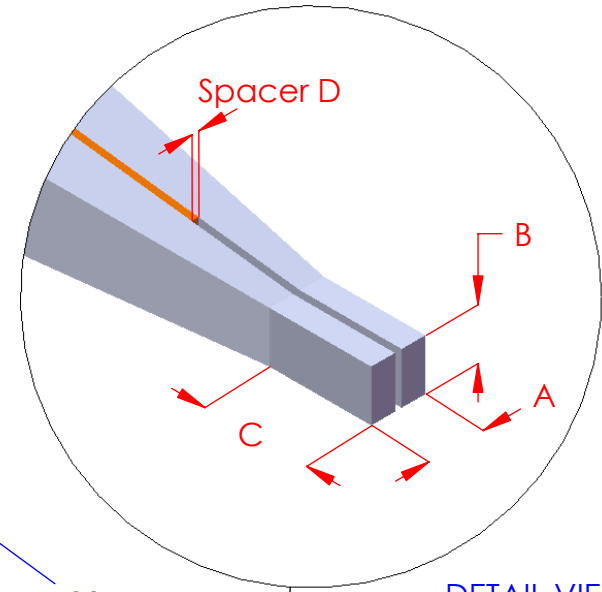
Standard Material:  
Molybdenum (Mo)

Part Number Construction  
S-13-Mo-A.005B.005C.008 -D.0015

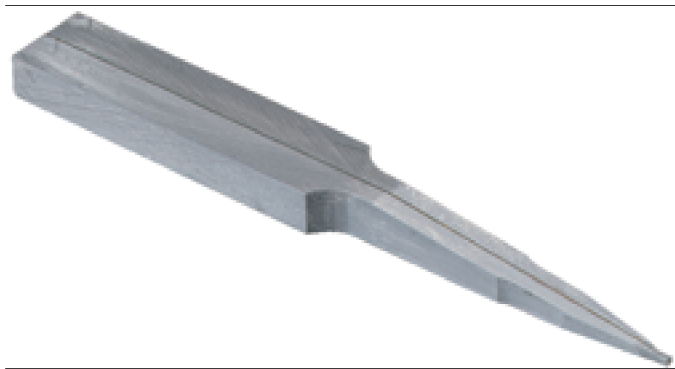
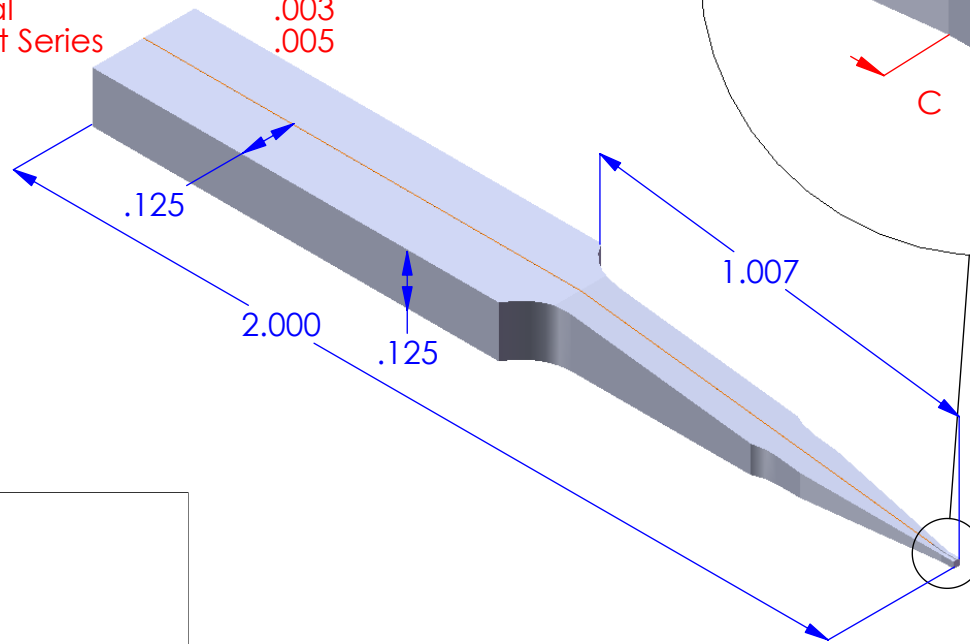
Dimensions  
Material  
Product Series

Spacer Selection

.0015  
.003  
.005



DETAIL VIEW F  
SCALE 25 : 1



**Custom configurations and Materials available.  
Contact the factory for assistance.**

AIT PROPRIETARY THIS DOCUMENT AND THE DATA DISCLOSED HEREIN OR HEREVITH IS NOT TO BE REPRODUCED, USED OR DISCLOSED IN WHOLE OR IN PART TO ANYONE WITHOUT WRITTEN PERMISSION OF AIT		SIGNATURE DRAWN CHECKED ENGINEER	DATE	<b>ADVANCED INTEGRATED TECHNOLOGIES INC.</b>	
MC THIRD ANGLE PROJECTION 		DESCRIPTION			
3D		SIZE <b>A</b>	JOB NUMBER	DRAWING NUMBER <b>S-13</b>	REV <b>A</b>
DO NOT SCALE DRAWING			SCALE: 1/1	SHT 1 OF 1	