

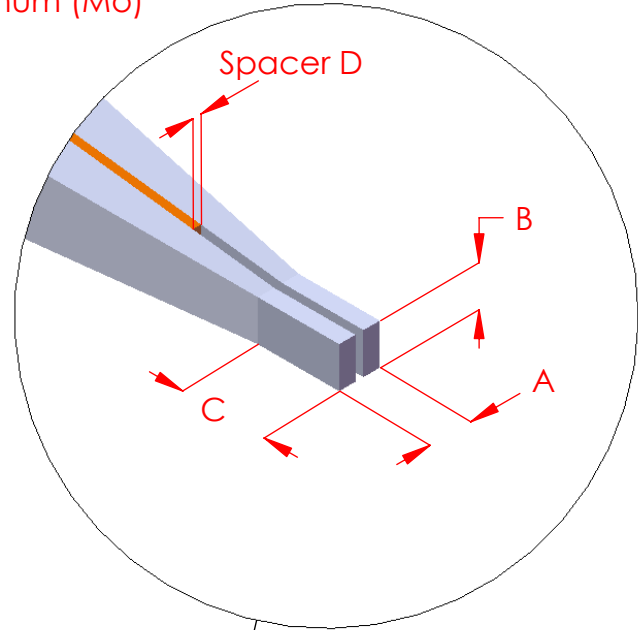
Part Number	A	B	C	Hughes
S-15-Mo-A.010B.010C.020D.0015	0.010	0.010	0.020	GW012-5A
S-15-Mo-A.010B.015C.020D.0015	0.010	0.015	0.020	
S-15-Mo-A.015B.010C.025D.0015	0.015	0.010	0.025	GW012-6A
S-15-Mo-A.015B.015C.025D.0015	0.015	0.015	0.025	
S-15-	?	?	?	

Standard Material:
Molybdenum (Mo)

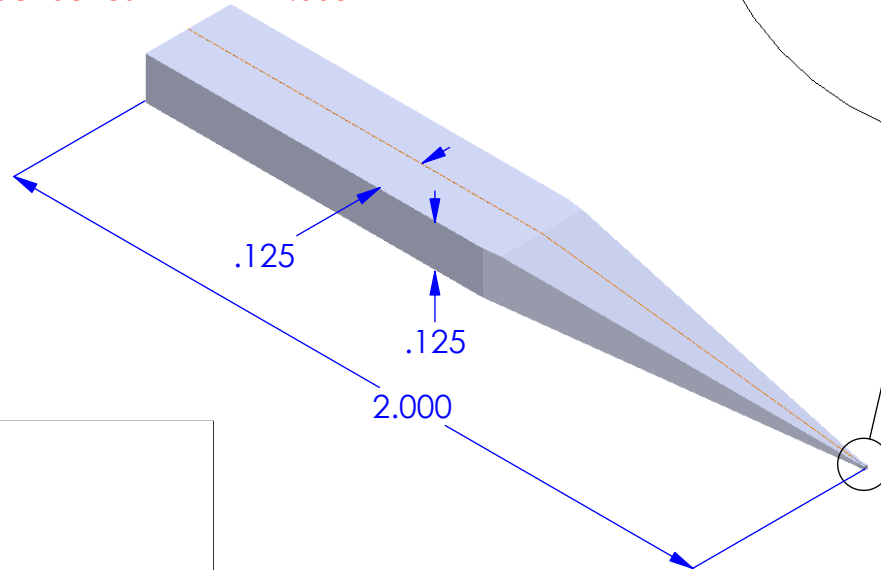
Part Number Construction
S-15-Mo-A.010B.010C.020-D.0015

Dimensions
Material
Product Series

Spacer Selection
.0015
.003
.005



DETAIL VIEW F
SCALE 30 : 1



Custom configurations and Materials available.
Contact the factory for assistance.

AIT PROPRIETARY THIS DOCUMENT AND THE DATA DISCLOSED HEREIN OR HEREVITH IS NOT TO BE REPRODUCED, USED OR DISCLOSED IN WHOLE OR IN PART TO ANYONE WITHOUT WRITTEN PERMISSION OF AIT		SIGNATURE	DATE	ADVANCED INTEGRATED TECHNOLOGIES INC.	
THIRD ANGLE PROJECTION		DRAWN			
MC	3D	CHECKED		SIZE	JOB NUMBER
		ENGINEER		A	
				DRAWING NUMBER	
				S-15	
				REV	
				A	
DO NOT SCALE DRAWING			SCALE:1/1	SHT 1	OF 1