

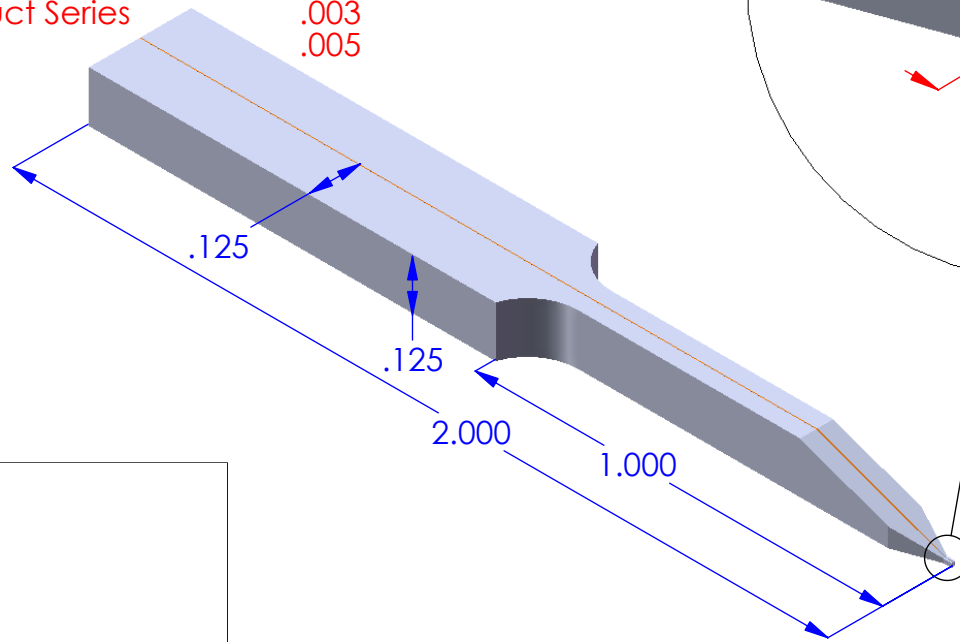
Part Number	A	B	C
S-17-Mo-A.010B.010C.020D.0015	0.010	0.010	0.020
S-17-Mo-A.015B.015C.050D.003	0.015	0.015	0.050
S-17-Mo-A.025B.025C.050D.003	0.025	0.025	0.050
S-17-Mo-A.033B.025C.050D.003	0.033	0.025	0.050
S-17-	?	?	?

Standard Material:
Molybdenum (Mo)

Part Number Construction
S-17-Mo-A.010B.010C.020-D.0015

Dimensions
Material
Product Series

Spacer Selection
.0015
.003
.005



DETAIL VIEW F
SCALE 40 : 1



**Custom configurations and Materials available.
Contact the factory for assistance.**

AIT PROPRIETARY THIS DOCUMENT AND THE DATA DISCLOSED HEREIN OR HERewith IS NOT TO BE REPRODUCED, USED OR DISCLOSED IN WHOLE OR IN PART TO ANYONE WITHOUT WRITTEN PERMISSION OF AIT		SIGNATURE	DATE	ADVANCED INTEGRATED TECHNOLOGIES INC.	
MC	THIRD ANGLE PROJECTION	DRAWN			
3D		CHECKED		SIZE	JOB NUMBER
		ENGINEER		A	
DO NOT SCALE DRAWING		SCALE: 1/1		DRAWING NUMBER	REV
				S-17	A
				SHT 1	OF 1