

Part Number	A	B	C
S-2-Mo-A.010B.010C.020D.0015	0.010	0.010	0.020
S-2-Mo-A.010B.015C.040D.0015	0.010	0.015	0.040
S-2-Mo-A.015B.020C.045D.0015	0.015	0.020	0.045
S-2-	?	?	?

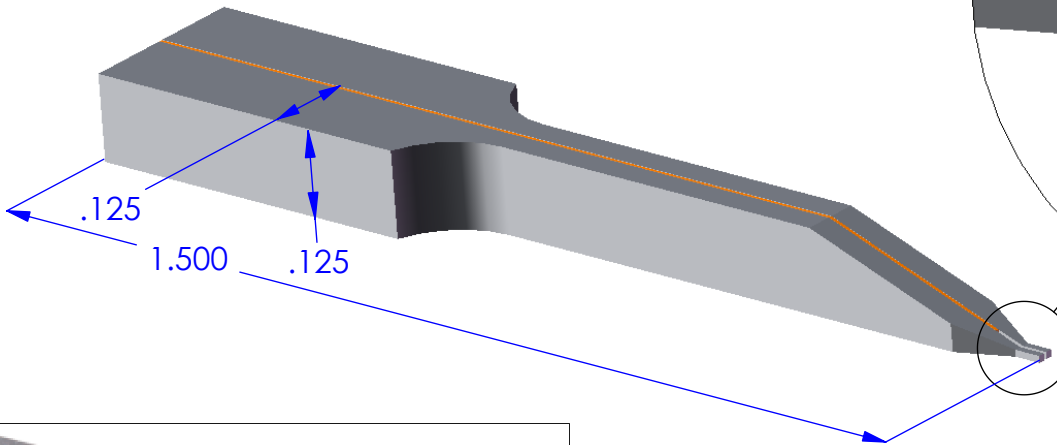
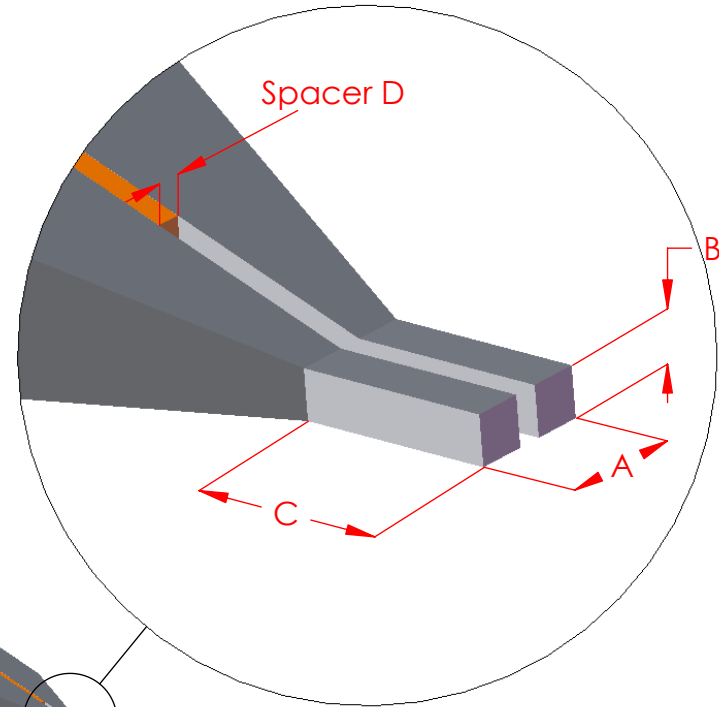
Standard Material:  
Molybdenum (Mo)

Part Number Construction  
S-2-Mo-A.010B.010C.020 -D.0015

Spacer Selection  
 .0015  
 .003  
 .005

Dimensions  
 Material  
 Product Series

DETAIL VIEW F  
SCALE 30 : 1



**Custom configurations and Materials available.  
Contact the factory for assistance.**

AIT PROPRIETARY THIS DOCUMENT AND THE DATA DISCLOSED HEREIN OR HEREWITH IS NOT TO BE REPRODUCED, USED OR DISCLOSED IN WHOLE OR IN PART TO ANYONE WITHOUT WRITTEN PERMISSION OF AIT		SIGNATURE	DATE	<b>ADVANCED INTEGRATED TECHNOLOGIES INC.</b>	
3D		DRAWN			
THIRD ANGLE PROJECTION		CHECKED		DESCRIPTION	
DO NOT SCALE DRAWING		ENGINEER		SIZE	JOB NUMBER
				A	
				DRAWING NUMBER	
				S-2	
				REV	
				A	
				SHT 1	OF 1