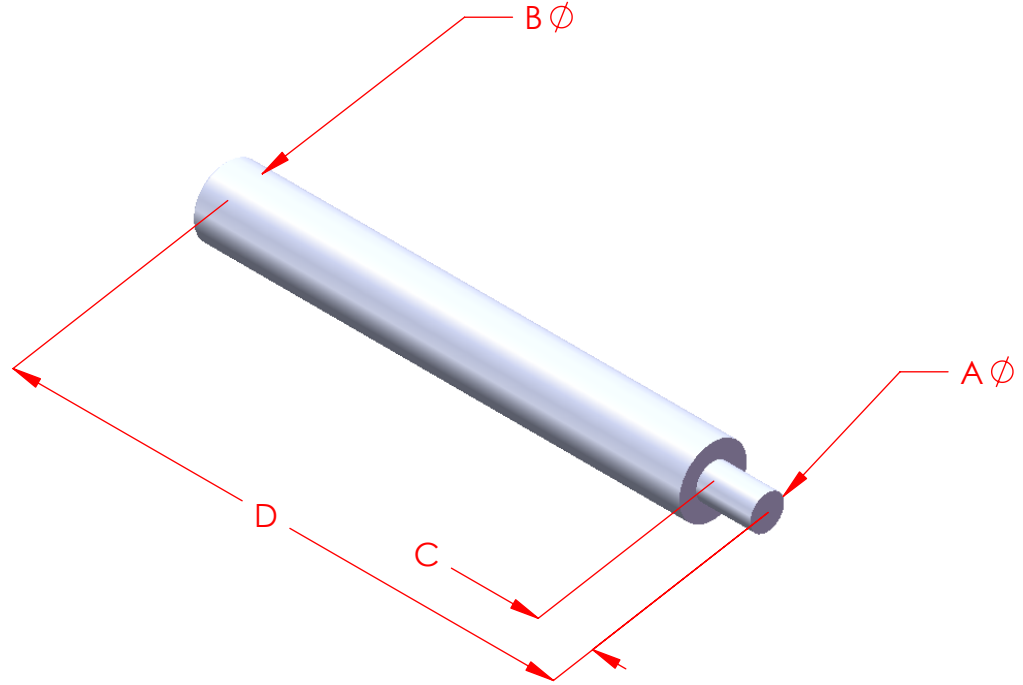


Part Number	A	B	C	D
S-20-Mo-A.063B.125C.150D1.50	0.063	0.125	0.150	1.50
S-20-Mo-A.063B.125C.175D2.00	0.063	0.125	0.175	2.00
S-20-Mo-A.093B.250C.189D2.00	0.093	0.250	0.189	2.00
S-20-Mo-A.125B.250C.200D2.00	0.125	0.250	0.200	2.00
S-20-	?	?	?	?

Standard Material:  
 RWMA 2 - Copper/Cadmium (2)  
 RWMA 3 - Copper/Cobalt/Beryllium (3)  
 Glidcop AL 15 (G)  
 Molybdenum (Mo)

Part Number Construction  
 S-20-Mo-A.063B.125C.150D1.50

Dimensions  
 Material  
 Product Series



**Custom configurations and Materials available.  
 Contact the factory for assistance.**

AIT PROPRIETARY THIS DOCUMENT AND THE DATA DISCLOSED HEREIN OR HEREWITH IS NOT TO BE REPRODUCED, USED OR DISCLOSED IN WHOLE OR IN PART TO ANYONE WITHOUT WRITTEN PERMISSION OF AIT		SIGNATURE	DATE	<b>ADVANCED INTEGRATED TECHNOLOGIES INC.</b>	
3D		DRAWN			
THIRD ANGLE PROJECTION		CHECKED		DESCRIPTION	
		ENGINEER			
				SIZE	JOB NUMBER
				A	
		DO NOT SCALE DRAWING		SCALE:1/1	DRAWING NUMBER
					S-20
					REV
					A
				SHT 1	OF 1