

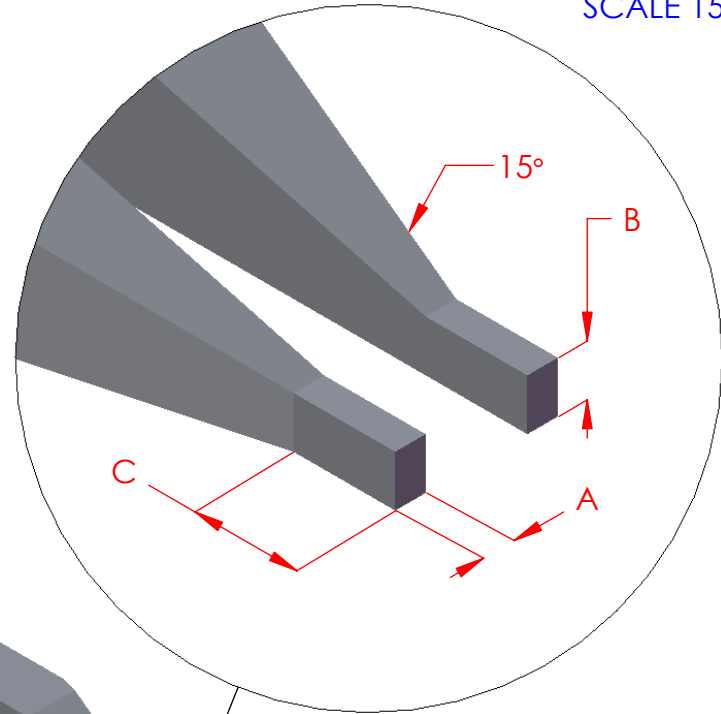
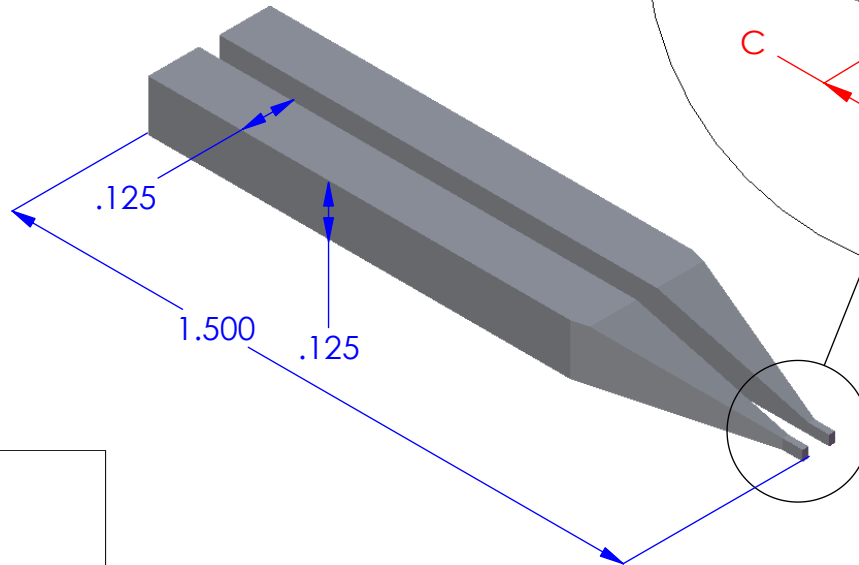
Part Number	A	B	C
S-7-Mo-A.010B.010C.020	0.010	0.010	0.020
S-7-Mo-A.010B.015C.040	0.010	0.015	0.040
S-7-Mo-A.015B.025C.040	0.015	0.025	0.040
S-7-Mo-A.025B.045C.050	0.025	0.045	0.050
S-7-	?	?	?

Standard Material:
 Molybdenum (Mo)
 RWMA-2 Copper/Chromium (2)
 Glidcop (G)
 Copper Tungsten (11)
 Tungsten (W)

DETAIL VIEW F
 SCALE 15:1

Part Number Construction
 S-7-Mo-A.010B.010C.020

Dimensions
 Material
 Product Series



Custom configurations and Materials available.
 Contact the factory for assistance.

AIT PROPRIETARY THIS DOCUMENT AND THE DATA DISCLOSED HEREIN OR HEREWITH IS NOT TO BE REPRODUCED, USED OR DISCLOSED IN WHOLE OR IN PART TO ANYONE WITHOUT WRITTEN PERMISSION OF AIT		SIGNATURE	DATE	ADVANCED INTEGRATED TECHNOLOGIES INC.	
3D		DRAWN			
THIRD ANGLE PROJECTION		CHECKED		DESCRIPTION	
DO NOT SCALE DRAWING		ENGINEER		SIZE	JOB NUMBER
				A	
				DRAWING NUMBER	REV
				S-7	A
				SHT 1	OF 1