

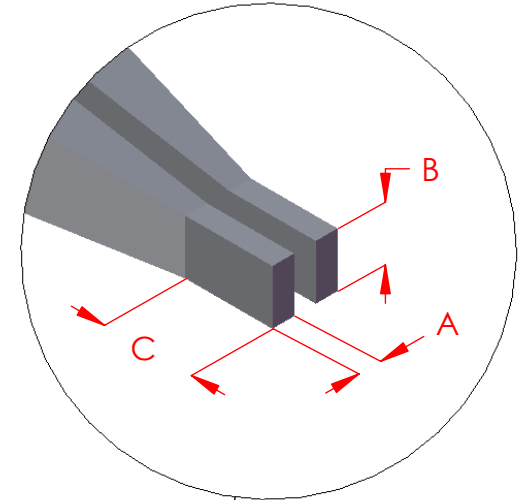
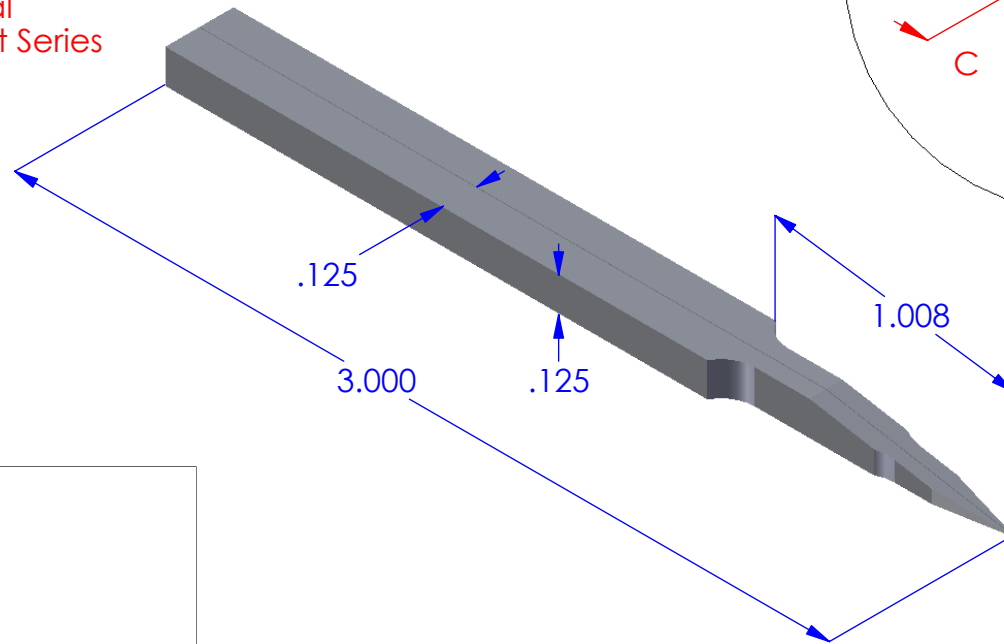
Part Number	A	B	C
S-8-Mo-A.002B.005C.008	0.002	0.005	0.008
S-8-Mo-A.004B.010C.015	0.004	0.010	0.015
S-8-Mo-A.007B.015C.030	0.007	0.010	0.030
S-8-Mo-A.009B.020C.035	0.009	0.020	0.035
S-8-Mo-A.012B.025C.045	0.012	0.025	0.045
S-8-	?	?	?

Standard Material:
Molybdenum (Mo)

DETAIL VIEW F
SCALE 80 : 1

Part Number Construction
S-8-Mo-A.004B.010C.015

Dimensions
Material
Product Series



**Custom configurations and Materials available.
Contact the factory for assistance.**

AIT PROPRIETARY THIS DOCUMENT AND THE DATA DISCLOSED HEREIN OR HEREVITH IS NOT TO BE REPRODUCED, USED OR DISCLOSED IN WHOLE OR IN PART TO ANYONE WITHOUT WRITTEN PERMISSION OF AIT		SIGNATURE DRAWN CHECKED ENGINEER	DATE	ADVANCED INTEGRATED TECHNOLOGIES INC.			
MC THIRD ANGLE PROJECTION 						DESCRIPTION	
3D				SIZE A	JOB NUMBER	DRAWING NUMBER S-8	REV A
DO NOT SCALE DRAWING				SCALE 1/1	SHT 1 OF 1		