

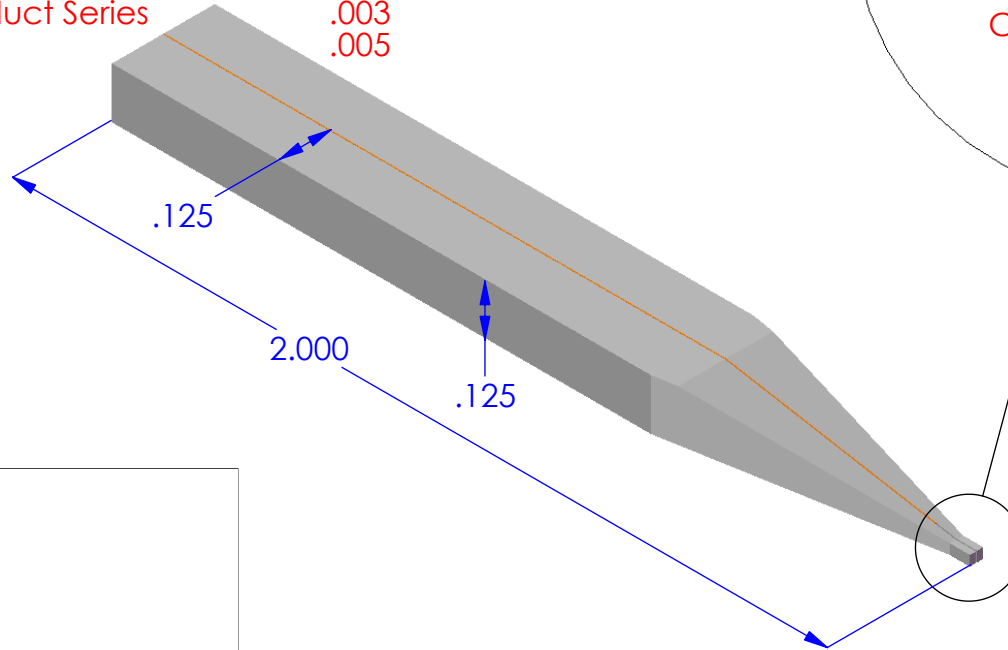
Part Number	A	B	C
S-9-Mo-A.010B.010C.020D.0015	0.010	0.010	0.020
S-9-Mo-A.015B.020C.040D.003	0.015	0.020	0.040
S-9-Mo-A.015B.020C.045D.0015	0.015	0.020	0.045
S-9-Mo-A.033B.025C.050D.003	0.033	0.025	0.050
S-9-	?	?	?

Standard Material:
Molybdenum (Mo)

Part Number Construction
S-9-Mo-A.010B.010C.020 -D.0015

Dimensions
Material
Product Series

Spacer Selection
.0015
.003
.005



DETAIL N
SCALE 16:1



**Custom configurations and Materials available.
Contact the factory for assistance.**

AIT PROPRIETARY THIS DOCUMENT AND THE DATA DISCLOSED HEREIN OR HEREWITH IS NOT TO BE REPRODUCED, USED OR DISCLOSED IN WHOLE OR IN PART TO ANYONE WITHOUT WRITTEN PERMISSION OF AIT		SIGNATURE DRAWN CHECKED ENGINEER	DATE	ADVANCED INTEGRATED TECHNOLOGIES INC.	
MC THIRD ANGLE PROJECTION 		DESCRIPTION		SIZE JOB NUMBER DRAWING NUMBER REV A S-9	
3D		DO NOT SCALE DRAWING		SCALE 1/1	SHT 1 OF 1